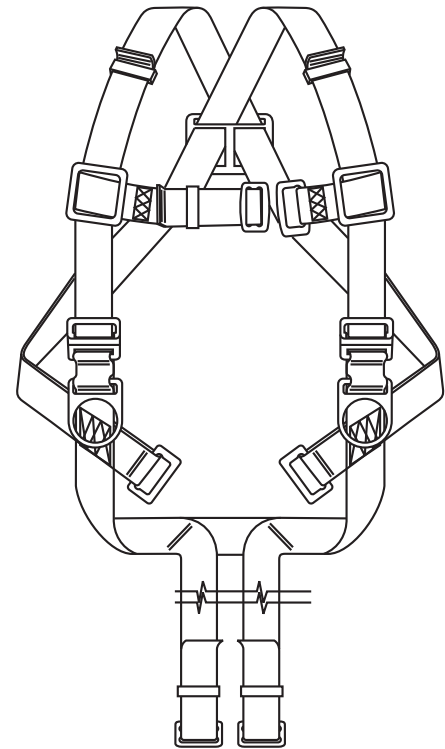


Workman® Harness Product Specifications

MATERIALS	
Web:	1 3/4" (44 mm) nominal width, polyester
D-ring:	2 3/16" (56 mm) nominal width Zinc-plated, stamped-alloy steel
Hardware:	Zinc-plated, alloy steel
Thread:	Polyester box stitches: 3-cord thread Reinforcement stitches: 5-cord thread
Plastic Parts:	PVC
Labels:	Valeron, NRV
TECHNICAL	
Web Minimum Breaking Strength:	6,000 lbs
D-ring Minimum Breaking Strength:	5,000 lbs
Maximum Capacity:	Proof-tested to 3,600 lbs 400 lbs (181 kg)
CERTIFICATION	
OSHA:	All applicable standards including 1910.66 and 1926.502
ANSI:	A10.32 and Z359.1-2007
CSA:	Z259.10-M90 classes A, L, D, P



Workman Lanyard Product Specifications

MATERIALS	
Lanyard:	1" (25 mm) nominal width
Web:	Polyester 8500-lb minimum breaking strength
Shock Absorber:	1 3/4" (44 mm) nominal width
Web:	Polyester 6000-lb minimum breaking strength
Thread:	Polyester Box stitches: 3-cord thread
Connecting Hardware:	
Snaphook:	Zinc-plated, stamped-alloy steel 100% proof-tested to 3600 lbs (16 kN) 5000-lb (22.2 kN) minimum breaking strength 3/4" (19 mm) gate opening
Adjusting Hardware:	Zinc-plated, forged-alloy steel 5000-lb (22.2 kN) minimum breaking strength
TECHNICAL	
Maximum Capacity:	310 lbs (141 kg) for OSHA; 115 kg for CSA Z259.11-05 E4
Minimum Capacity:	99 lbs (45 kg) for OSHA; 45 kg for CSA Z259.11-05 E4
Standard Lanyard Length:	6-ft adjustable
Maximum Arresting Force:	900 lbs (4 kN)
CERTIFICATION	
<i>This product meets or exceeds the following standards:</i>	
OSHA:	1910.66 and 1926.502
ANSI:	A10.32
CSA:	Z259.11-05 E4

