

*The Premium Rail On The Market Today*

**ACCIDENT  
INTERVENTION  
SYSTEMS**

**RISK  
MANAGEMENT**

**PEOPLE  
PROTECTION**

**PROPERTY  
PROTECTION**

**CODE  
COMPLIANCE**

**NEUTRALIZE  
WORKPLACE  
HAZARDS**



- **Quick Ship Program**
- Protection for structural platforms, in-plant offices, conveyors, water mains, valuable equipment & personnel
- Easy installation with all hardware included
- 10,000 lb. Load at 4 mph rating
- Bright, OSHA yellow finish

- Columns are 4" square high strength steel tube
- Baseplate is 10" square x 5/8" thick steel, and can be offset if needed
- Rails are 10 gauge high-tensile steel formed into a two rib corrugated design with two secondary ribs
- 5-1/2" screw anchors and A325 1/2" hardware is provided
- Lift out rail available upon request



**MODEL DESCRIPTION**

C1	18" Column-Single Rail Application
C2	42" Column-Double Rail Application
C3	42" Column-Triple Rail Application
R10	Rail for 10' section
R9	Rail for 9' section
R8	Rail for 8' section
R7	Rail for 7' section
R6	Rail for 6' section
R5	Rail for 5' section
R4	Rail for 4' section
R3	Rail for 3' section

You can begin the quotation process by sending information to our inside sales group. If you prefer to discuss your application, please contact us at the number listed.

355 Industrial Drive  
Harrison, OH 45030  
Ph 800-333-0080  
Ph 513-367-0080  
Fax 513-367-0081  
[sales@heartland-ep.com](mailto:sales@heartland-ep.com)  
[www.heartland-ep.com](http://www.heartland-ep.com)

**ACCIDENT  
INTERVENTION  
SYSTEMS**

**RISK  
MANAGEMENT**

**PEOPLE  
PROTECTION**

**PROPERTY  
PROTECTION**

**CODE  
COMPLIANCE**

**NEUTRALIZE  
WORKPLACE  
HAZARDS**

### ***Bollards***

- **Quick Ship Program**
- Protects dock doorways and building passages
- Excellent for segregating vehicles from people
- 42" high in 4" and 6" diameters
- Available in standard duty and heavy duty
- 1/2" X 5" screw anchors provided
- Bright OSHA yellow finish

<b>Model</b>	<b>Description</b>
B4SD	4" Standard duty 4" tubing
B6SD	6" Standard duty 6" tubing
B4HD	4" Heavy duty 4" Sch 40 pipe
B6HD	6" Heavy duty 6" Sch 40 pipe



### ***Corner Gard***

- **Quick Ship Program**
- Protects office and wall corners
- Full gusset to withstand impact
- Inexpensive when compared to replacing damaged corners, edges and walls
- 1/2" X 5" screw anchors provided
- Heavy Duty , Standard height 18"
- Bright, OSHA yellow finish



<b>Model</b>	<b>Description</b>
CG18	18" High

You can begin the quotation process by sending information to our inside sales group. If you prefer to discuss your application, please contact us at the number listed.

355 Industrial Drive  
Harrison, OH 45030  
Ph 800-333-0080  
Ph 513-367-0080  
Fax 513-367-0081  
[sales@heartland-ep.com](mailto:sales@heartland-ep.com)  
[www.heartland-ep.com](http://www.heartland-ep.com)

**ACCIDENT  
INTERVENTION  
SYSTEMS**

**RISK  
MANAGEMENT**

**PEOPLE  
PROTECTION**

**PROPERTY  
PROTECTION**

**CODE  
COMPLIANCE**

**NEUTRALIZE  
WORKPLACE  
HAZARDS**

**Post Protector**

- Fits all standard rack uprights
- Choose from standard heights of 12", 18", 24", 36" and 48"
- Four 9/16" mounting holes for 1/2" anchors (not included)
- 12" Post Protector available in standard and heavy duty models
- Bright, OSHA yellow finish

MODEL	DESCRIPTION
-------	-------------

**Standard Duty**

P12SD	3/16" steel	12" High
-------	-------------	----------

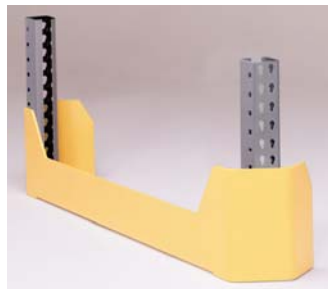
**Heavy Duty**

P12HD	1/4" steel	12" high
P18HD	1/4" steel	18" high
P24HD	1/4" steel	24" high
P36HD	1/4" steel	36" high
P48HD	1/4" steel	48" high



**Rack Gard**

- Protects sensitive pallet rack row ends
- Rack Gard available for single and double row applications
- Heavy-duty 1/4" steel
- 3/8" x 4" screw anchors (provided)
- Bright OSHA yellow finish



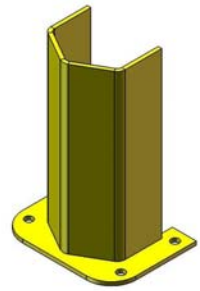
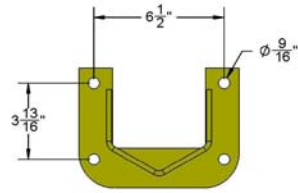
MODEL	DESCRIPTION
-------	-------------

RG42	Single row, 42" upright depth
RG42L	Double row, left side, 42" upright depth
RG42R	Double row, right side, 42" upright depth
RG48	Single row, 48" upright depth
RG48L	Double row, left side, 48" upright depth
RG48R	Double row, right side, 48" upright depth

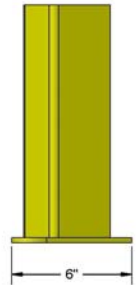
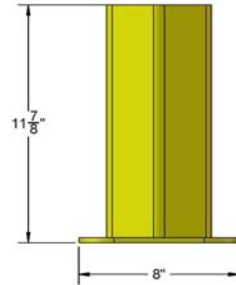
You can begin the quotation process by sending information to our inside sales group. If you prefer to discuss your application, please contact us at the number listed.

355 Industrial Drive  
Harrison, OH 45030  
Ph 800-333-0080  
Ph 513-367-0080  
Fax 513-367-0081  
sales@heartland-ep.com  
[www.heartland-ep.com](http://www.heartland-ep.com)

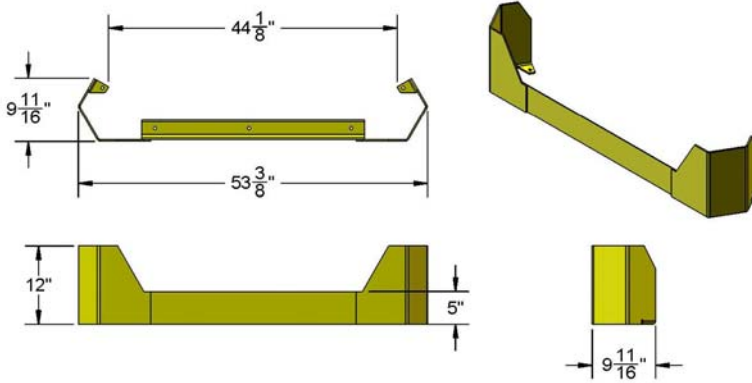
**POST PROTECTOR**



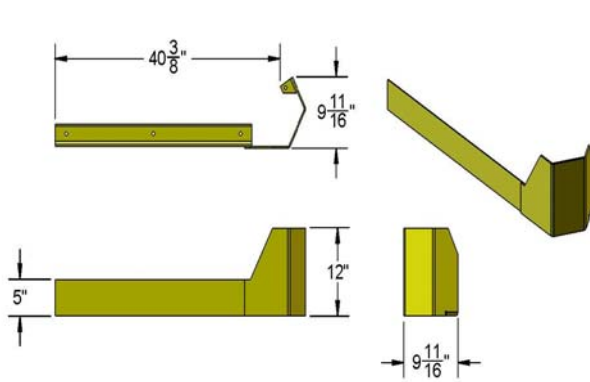
**P12HD**



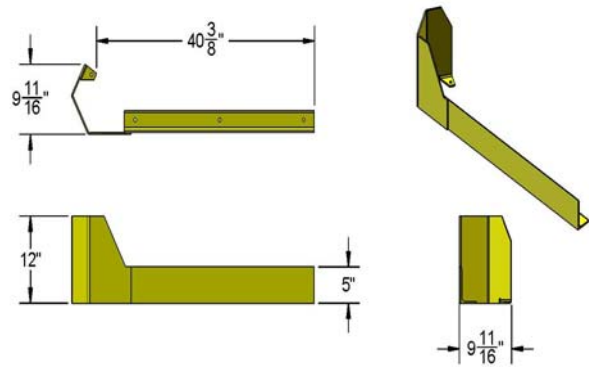
**RACK GARD**



**RG42**



**Right Hand (RG42R)**



**Left Hand (RG42L)**



### Tough, Affordable Handrail System

#### ACCIDENT INTERVENTION SYSTEMS

#### RISK MANAGEMENT

#### PEOPLE PROTECTION

#### PROPERTY PROTECTION

#### CODE COMPLIANCE

#### NEUTRALIZE WORKPLACE HAZARDS



- Protect dock areas and drop offs
- Protect personnel and vulnerable equipment
- Designate walkways
- Use for crowd control



**OSHA Standard 1910.23(c)(1)** states every open-sided floor or platform 4 feet or more above adjacent floor or ground level shall be guarded by a standard railing on all open sides except where there is entrance to a ramp, stairway, or fixed ladder.

**OSHA Standard 1910.24(h)** states standard railings shall be provided on the open sides of all exposed stairways and stair platforms.

You can begin the quotation process by sending information to our inside sales group. If you prefer to discuss your application, please contact us at the number listed.

#### Quick Ship Program

- An economical and versatile handrail system for plants, warehouses, etc.
- Quick, easy installation
- Corrosion resistant
- Lightweight and reusable
- Bright OSHA yellow finish



MODEL #	DESCRIPTION
HR2C	4' x 4' Corner
HR2S	4' Straight Run
HR2E	4' Extension

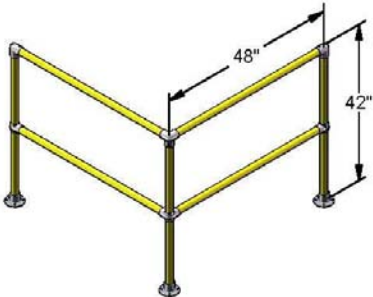
**NOTE:** For three-rail application, add "3" to the model number. EX: HR3C



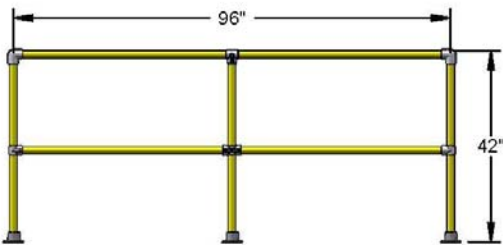
355 Industrial Drive  
Harrison, OH 45030  
Ph 800-333-0080  
Ph 513-367-0080  
Fax 513-367-0081

[sales@heartland-ep.com](mailto:sales@heartland-ep.com)  
[www.heartland-ep.com](http://www.heartland-ep.com)

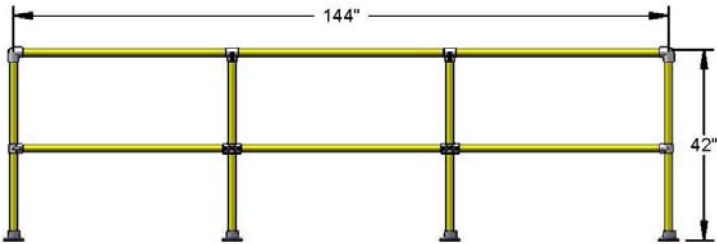
# SAF-T-GARD



4' X 4' Corner set

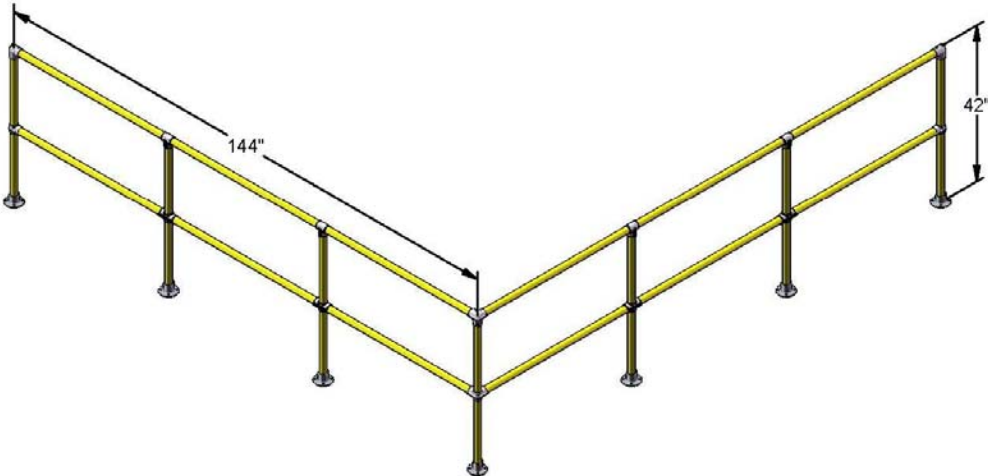


8' Straight run



12' Straight run

Specifications:  
\* 1 1/4" SCH 10 tubing with Safety Yellow finish  
\* All fittings are cast aluminum-magnesium  
tamper resistant screws  
\* OSHA Compliant.



12' x 12' Corner set



**ACCIDENT  
INTERVENTION  
SYSTEMS**

**RISK  
MANAGEMENT**

**PEOPLE  
PROTECTION**

**PROPERTY  
PROTECTION**

**CODE  
COMPLIANCE**

**NEUTRALIZE  
WORKPLACE  
HAZARDS**

**Saf-T-Header**

- Protects overhead mechanical lines and conveyors
- Protects automatic overhead doors and reduces costly repairs
- Lower PVC "Banger Bar" warns operator
- All installation hardware included
- Adjustable to fit width/height required
- Bright, OSHA yellow finish

Model	Description
STH10	114" to 126" clear
STH12	138" to 150" clear
STH16	186" to 198" clear



**Trak Armor**

- Eliminates expensive door track repairs and dock downtime
- Simple installation - mounts securely to floor and wall
- Protects, yet doesn't interfere with dock operations
- Fully integrated base plate
- Choose from standard heights of 24", 36", 42" and 48"
- Base has three 1/2" mounting holes for 3/8" anchors (provided)
- Upright installation holes are 7/16" for 3/8" anchors
- Provided as a set ( Left hand / Right hand)
- Bright, OSHA yellow finish

Model	Description
TA24HD	24" High
TA36HD	36" High
TA42HD	42" High
TA48HD	48" High



You can begin the quotation process by sending information to our inside sales group. If you prefer to discuss your application, please contact us at the number listed.

355 Industrial Drive  
Harrison, OH 45030  
Ph 800-333-0080  
Ph 513-367-0080  
Fax 513-367-0081  
[sales@heartland-ep.com](mailto:sales@heartland-ep.com)  
[www.heartland-ep.com](http://www.heartland-ep.com)