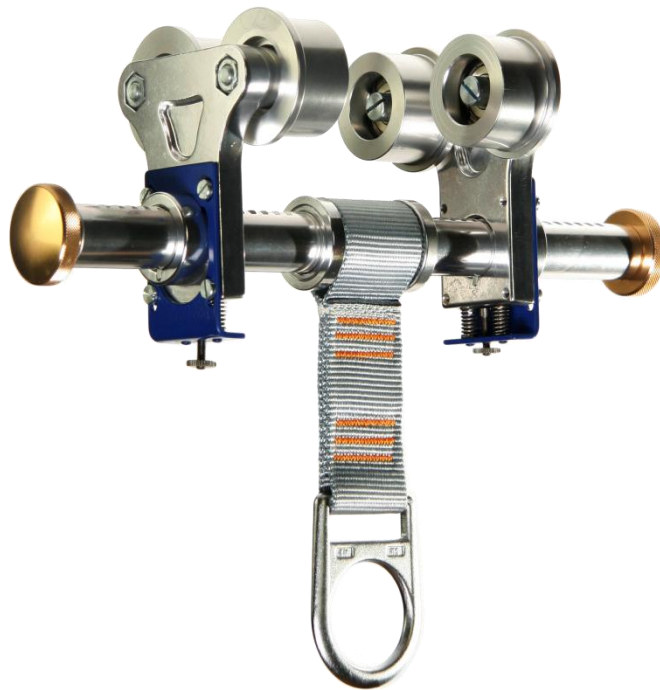


**GUARDIAN**  
FALL PROTECTION  
**PERFORMANCE SAFETY GEAR**



**BMR Trolley Anchor**  
**Part #00215**

**USER'S MANUAL**

**DO NOT THROW AWAY THESE INSTRUCTIONS!**  
**READ AND UNDERSTAND BEFORE USING EQUIPMENT!**

## TABLE OF CONTENTS:

INTRODUCTION.....	Page 2
USER INFORMATION.....	Page 3
GENERAL SYSTEM SELECTION CRITERIA.....	Page 3
TRAINING REQUIREMENTS.....	Page 4
RESCUE PLAN.....	Page 4
DESCRIPTION OF BMR TROLLEY ANCHOR.....	Page 4
SPECIFICATIONS OF BMR TROLLEY ANCHOR.....	Page 5
MAINTENANCE CLEANING AND STORAGE.....	Page 5
INSPECTION.....	Page 6
PRIOR TO EACH USE.....	Page 6
PRODUCT APPLICATION INFORMATION.....	Page 7
APPLICABLE STANDARDS.....	Page 7
LIMITATIONS.....	Page 7
INSTALLATION INSTRUCTIONS.....	Page 8
LABELS.....	Page 9
INSPECTION LOG.....	Page 10

### WARNING!

#### DO NOT:

- Do not alter or misuse the equipment unless approved by manufacturer.
- Do not use combinations of components or subsystems that may affect or interfere with the safe, compatible function of each other.
- Do not expose the equipment to chemicals which may produce a harmful effect or degrade the equipment. Consult manufacturer in cases where doubt exists.
- Do not use the equipment around moving machinery or electrical hazards unless specifically designed for such use.
- Do not use the equipment around sharp edges or abrasive surfaces unless intended for such use.

## INTRODUCTION:

Thank you for purchasing the BMR Trolley Anchor. This manual should be read and understood in its entirety, and used as part of a training program as required by OSHA or any applicable state regulatory agency.

This and any other included instructions must be made available to the users of the equipment. The user must understand the proper equipment use and limitations.

This manual covers the maintenance, installation, and use of the BMR Trolley Anchor. This manual covers Guardian Part #00215

## USER INFORMATION:

Date of First Use \_\_\_\_\_

Serial # \_\_\_\_\_

Trainer \_\_\_\_\_

User \_\_\_\_\_

## GENERAL SYSTEM SELECTION CRITERIA:

Selection of fall protection shall be made by a Competent Person. All fall protection equipment shall be purchased new and unused.

The equipment is designed for use as a part of a personal fall protection system. Components shall not be used for any other operation other than that which it has been designed and approved.

Fall Protection Systems shall be designed to comply with OSHA or applicable state regulatory limitations. Systems must be used in a compliant manner.

This is not a fall arrest or fall restraint system and is not designed for use as an attachment point for a personal fall arrest system.

Consult a doctor if there is any reason to doubt a user's ability to withstand and safely absorb fall arrest forces or perform setup of equipment. Age, fitness, and health conditions can seriously affect the worker should a fall occur. Pregnant women and minors should not use this equipment.

### IMPORTANT!

**YOU MUST READ THIS ENTIRE MANUAL BEFORE USING THIS EQUIPMENT.  
FAILURE TO DO SO COULD RESULT IN SERIOUS INJURY OR DEATH.**

## TRAINING REQUIREMENTS:

The employer must ensure that each employee who might be exposed to fall hazards has been trained by a Competent or Qualified Person. The training program must include the following:

- The ability to recognize the hazards of falling
- The procedures to be followed in order to minimize these hazards.
- All Relevant Federal, State, and local regulatory requirements, procedures, and standards
- Correct erecting, maintaining, disassembling, and inspection of the fall protection systems being used
- Use of personal fall arrest systems

## RESCUE PLAN:

The user is required to have a rescue plan and the means at hand to implement it when using the equipment. The plan shall be project specific. Employees shall be trained in self-rescue or alternate means shall be provided for prompt rescue in the event of a fall

### IMPORTANT!

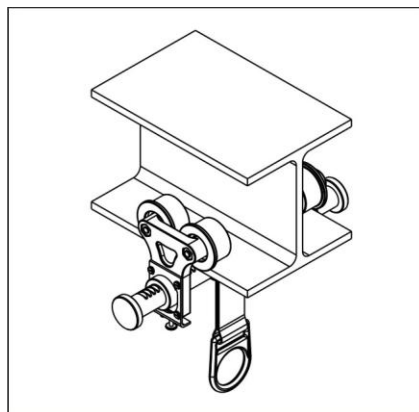
**DO NOT USE THIS EQUIPMENT IF IT HAS BEEN SUBJECTED TO A FALL.  
EQUIPMENT USED IN A FALL ARREST MUST BE REMOVED FROM SERVICE.  
PLEASE CONTACT GUARDIAN REGARDING REPLACEMENT PROCEDURES FOR PRODUCTS USED IN FALLS.**

## DESCRIPTION OF BMR TROLLEY ANCHOR:

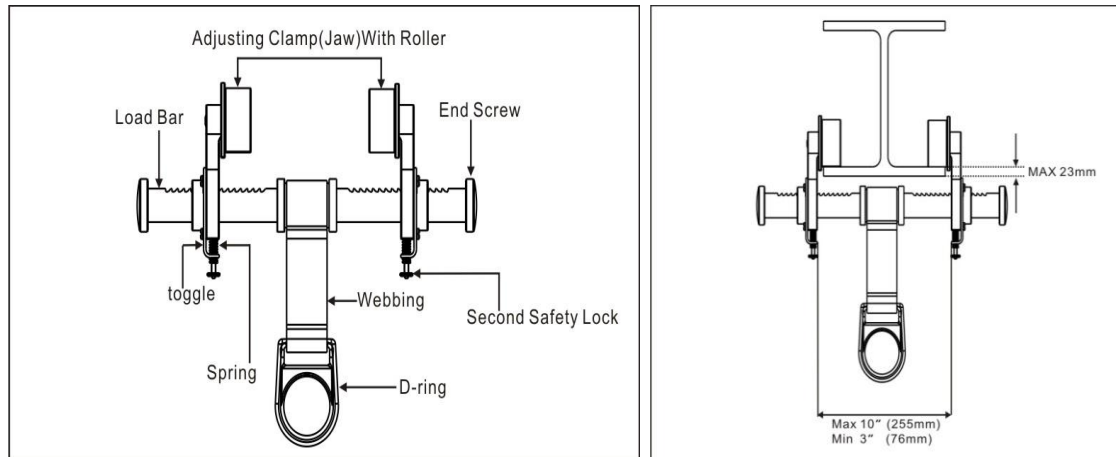
The BMR Trolley Anchor is to be used as part of a personal fall protection system. It is intended to be used as an anchorage point for either a shock-absorbing lanyard or a self-retracting lifeline (SRL) for fall arrest, or with a positioning lanyard for fall restraint.

This unit should not be used for material handling or any other use other than that of a fall protection anchorage device.

Only one person may use the BMR Trolley Anchor at a time with a combined weight (including tools and other equipment) of 400 lbs.



## SPECIFICATIONS OF BMR TROLLEY ANCHOR:



- Load Bar Material: Aluminum Alloy 7075-T6
- Clamps (Jaws): Aluminum Alloy 7075-T6
- D-Ring Material: Steel Alloy SAE4140- Nickel Plating
- Spring Material: Stainless Steel
- Webbing Material: Polyester
- Minimum Breaking Strength: 3,300 LBS (15kN)
- Weight: 7.7 LBS (3.5kgs)

## MAINTENANCE, CLEANING, AND STORAGE:

- **Cleaning:** Rinse a dirty connector in clean lukewarm water. Leave it to dry away from direct sources of light and heat.
- **Lubrication:** Lubricate moving parts frequently with a silicone based lubricant. Avoid spilling oil onto the fabric parts. This operation must be done after cleaning and drying completely.
- **Storage:** Store the equipment in a cool, dry, dark place, chemically neutral, away from sharp edges, heat sources, humidity, corrosive substances, or other damaging conditions. Do not store wet.
- During transport, the product should be placed in a container, eliminating influence of outside agents like water and dust.

## INSPECTION:

- Before each use, the worker must inspect all fall protection equipment.
- A formal inspection must be made by a Competent or Qualified Person other than the user at least every six months. Record the results of these inspections in the Inspection Log in the back of this manual.
- Visually inspect the load bar, adjusting clamps, D-Ring, springs, and end screws for any sign of deformation, deterioration, corrosion, or cracks.
- Make sure the rollers turn smoothly.
- Check the webbing to insure there are no broken stitches, cuts, burns, or melted areas.
- Check for any missing parts, such as screws.
- Look for any evidence of a fall or any damage or bending of the fittings.
- Identify any excessive rust.
- Check the beam structure the BMR Trolley Anchor is being attached to for adequate strength, damage to the structure, or excessive rust.

### WARNING!

**IF ANY COMPONENT OF THE GUARDIAN BMR TROLLEY DOES NOT PASS INSPECTION, REMOVE FROM SERVICE IMMEDIATELY. CONTACT GUARDIAN ABOUT RETURNING DAMAGED UNITS.**

## PRIOR TO EACH USE:

- Fall protection passive and active equipment shall be inspected by the user for defects, damage, or deterioration.
- Any suspected defective equipment shall be removed from service.
- If the manufacturer's label is not legible or is missing, the equipment shall be removed from service.
- If it is necessary to remove the BMR Trolley Anchor during a portion of a particular job, make sure to re-secure the unit before resuming work

### IMPORTANT!

**DO NOT EXPOSE EQUIPMENT TO OPEN FLAME, HOT OBJECTS, SOLVENTS, STRONG ACIDS OR BASES.**



## PRODUCT APPLICATION INFORMATION:

The Guardian BMR Trolley Anchor is designed to be a component of a fall arrest or fall restraint system for a single user.

- **PERSONAL FALL ARREST:** Guardian BMR Trolley Anchors can be used as a component of a personal fall arrest system (PFAS) to protect the user in the event of a fall. PFAS typically include a full body harness, a connecting device (energy absorbing lanyard), and an anchorage point. Maximum free fall is six (6) feet.
- **RESTRAINT:** Guardian BMR Trolley Anchors can be used as a component of a restraint system to prevent the user from reaching a fall hazard. Restraint systems typically include a full body harness, a lanyard or restraint line, and an anchorage point. NO VERTICAL FREE FALL IS PERMITTED.

## APPLICABLE STANDARDS:

Standards might include OSHA regulations depending on the type of work, and also might include state regulations if applicable. This product is designed to comply with OSHA and ANSI Z359.1 standards when used properly, and in accordance with the manufacturer's instructions.

### WARNING!

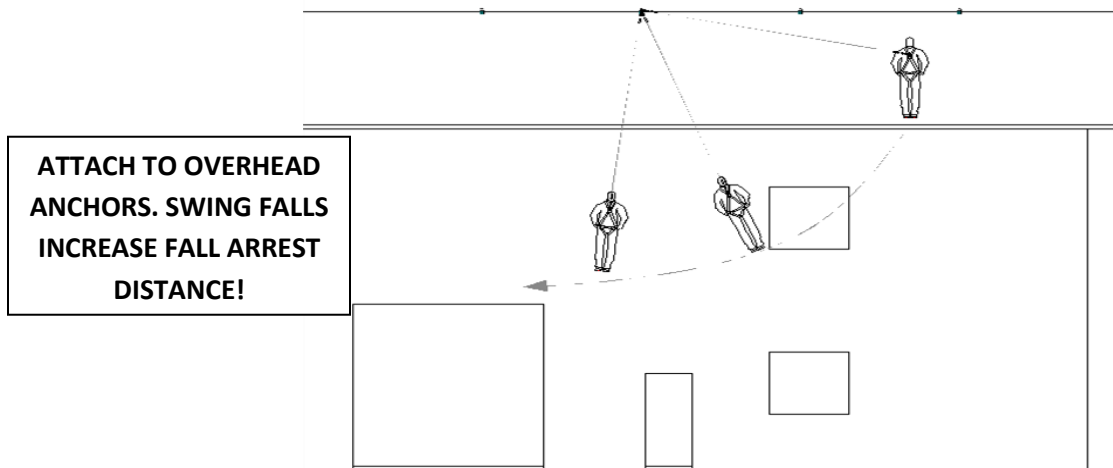
- **Guardian Fall Protection equipment is designed to be used with Guardian approved components.**
- **Please contact Guardian if you have a question regarding compatibility.**
- **Making substitutions without approval from Guardian Fall Protection may lead to injuries or death by compromising the safety and reliability of the complete system.**

## LIMITATIONS:

- **CAPACITY:** The BMR Trolley Anchor is designed to fit I-Beams from 3"-10" (76-255mm) wide and .9" (23mm) thick. It is meant for use by a person with a combined weight (clothing, tools, etc.) or no more than 400 lbs. using an approved connecting system. No more than one personal protective system may be connected at one time.
- **FREE FALL:** Personal Fall Arrest Systems (PFAS) used with this equipment must be rigged to limit the freefall to six (6) feet as called out in ANSI Z359.1. Only qualified and personnel trained on the proper use of fall protection such as this anchor are allowed to use this product. Restraint systems must be rigged so that no vertical free fall is possible. This anchorage device can withstand a twelve (12) foot free fall with a qualified lanyard.

## LIMITATIONS continued:

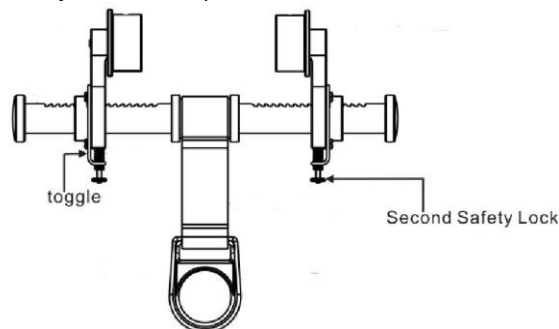
- **FALL CLEARANCE:** There must be sufficient clearance below the use to arrest a fall before the user strikes the ground or any other obstruction. A hazard assessment by a trained and Competent Person is recommended before any work is started that would include the use of fall protection.
- **SWING FALLS:** Swing falls occur when the anchorage point is not directly above the point where a fall occurs. The force of striking an object in a swing fall may cause serious injury or death. Minimize the risk of swing falls by working as close to the anchorage point as possible. **Do NOT permit a swing fall if injury could occur. Swing falls will significantly increase the clearance required when a self retracting lifeline or other variable length connecting system is used.**



- **POTENTIAL ENVIRONMENTAL HAZARDS:** Use of fall protection equipment in areas with environmental hazards may require additional precautions to prevent injury to the user or damage to the equipment. Hazards may include but are not limited to chemicals, corrosive environments, high voltage power lines, gases, moving machinery and sharp edges.

## INSTALLATION INSTRUCTIONS:

- Open the Beam Clamp to its maximum adjustment by unscrewing the safety locks
- Push in the toggles on the adjustable clamp





## **INSTALLATION INSTRUCTIONS continued:**

- Adjust the Beam Clamp to fit the beam, making sure that the anchor point is in the center of the beam.
- The adjustable clamp must be locked into place. Physically check that it is locked.
- The feet on adjustable clamp must sit on a clear surface. Remove dirt and grit if necessary.
- The End Screw Caps must remain in place.
- Ensure that the beam clamp cannot slide off the end of the beam. Install a stopper if necessary.
- The anchorage point should be as close as practically possible to vertically above the place of work to reduce the potential for swing falls. The use must not exceed an angle of 30 degrees from the center of the anchor beam.
- Adequate fall clearance needs to be provided below the user.
- The type of fall-arrest system attached to the anchorage point shall be compatible with the anchorage strength.
- A safe means of access to the anchorage point should be provided.
- The product shall be used only by a person trained in its safe use.
- Minors, those with medical conditions, or pregnant women must NOT use this equipment.

### **WARNING!**

**ANY REPAIR OR MODIFICATION OF THIS EQUIPMENT MUST BE CONDUCTED  
BY INDIVIDUALS AUTHORIZED BY GUARDIAN**

## **LABELS:**

**These labels must be present and legible on the  
Guardian BMR Trolley Anchor at all times.**



## INSPECTION LOG:

USER MUST INSPECT EQUIPMENT BEFORE EACH USE. COMPETENT PERSON TO INSPECT AND INITIAL AT LEAST EVERY 6 MONTHS.												
Date of First Use _____												
YR.	J	F	M	A	M	J	J	A	S	O	N	D
This is equipment must be inspected regularly and expires after five years												

***"WE PUT OUR NAME ON THE PRODUCT  
BECAUSE YOU PUT YOUR LIFE ON THE LINE."***

Guardian Fall Protection, Inc.  
800-466-6385  
26609 79<sup>th</sup> Ave. S.  
Kent, WA 98032  
[www.guardianfall.com](http://www.guardianfall.com)