

The Premium Rail On The Market Today

**ACCIDENT
INTERVENTION
SYSTEMS**

**RISK
MANAGEMENT**

**PEOPLE
PROTECTION**

**PROPERTY
PROTECTION**

**CODE
COMPLIANCE**

**NEUTRALIZE
WORKPLACE
HAZARDS**



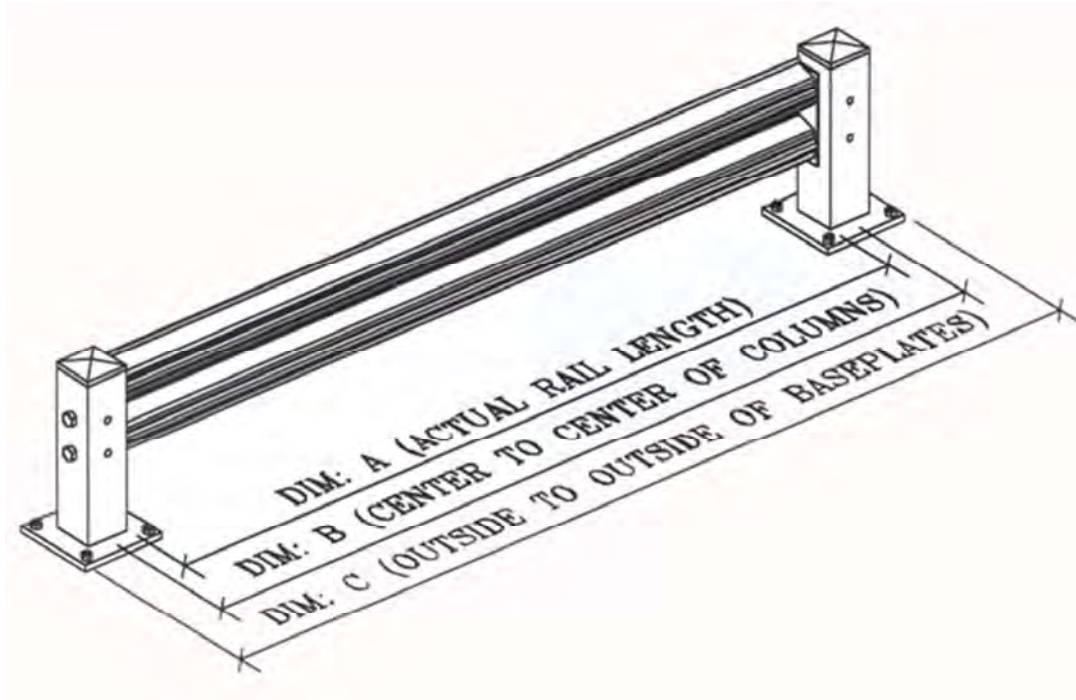
- **Quick Ship Program**
- Protection for structural platforms, in-plant offices, conveyors, water mains, valuable equipment & personnel
- Easy installation with all hardware included
- 10,000 lb. Load at 4 mph rating
- Bright, OSHA yellow finish

- Columns are 4" square high strength steel tube
- Baseplate is 10" square x 5/8" thick steel, and can be offset if needed
- Rails are 11 gauge high-tensile steel formed into a two rib corrugated design with two secondary ribs
- 5" screw anchors and A325 1/2" hardware is provided
- Lift out rail available upon request



MODEL DESCRIPTION

C1	18" Column-Single Rail Application
C2	42" Column-Double Rail Application
C3	42" Column-Triple Rail Application
R10	Rail for 10' section
R9	Rail for 9' section
R8	Rail for 8' section
R7	Rail for 7' section
R6	Rail for 6' section
R5	Rail for 5' section
R4	Rail for 4' section
R3	Rail for 3' section
R2	Rail for 2' section



COLUMNS	HEIGHT	APPLICATION
C1	18"	SINGLE RAIL
C2	42"	DOUBLE RAIL
C3	42"	TRIPLE RAIL

RAIL	DIM:A	DIM:B	DIM:C
R2	19-7/16"	24"	34"
R3	31-7/16"	36"	46"
R4	43-7/16"	48"	58"
R5	55-7/16"	60"	70"
R6	67-7/16"	72"	82"
R7	79-7/16"	84"	94"
R8	91-7/16"	96"	106"
R9	103-7/16"	108"	118"
R10	115-7/16"	120"	130"

1. All anchors and Connector bolts included at no extra cost
2. Lift out rail available
3. Special length rails available