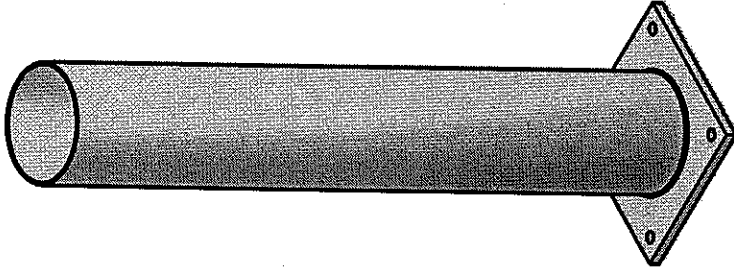
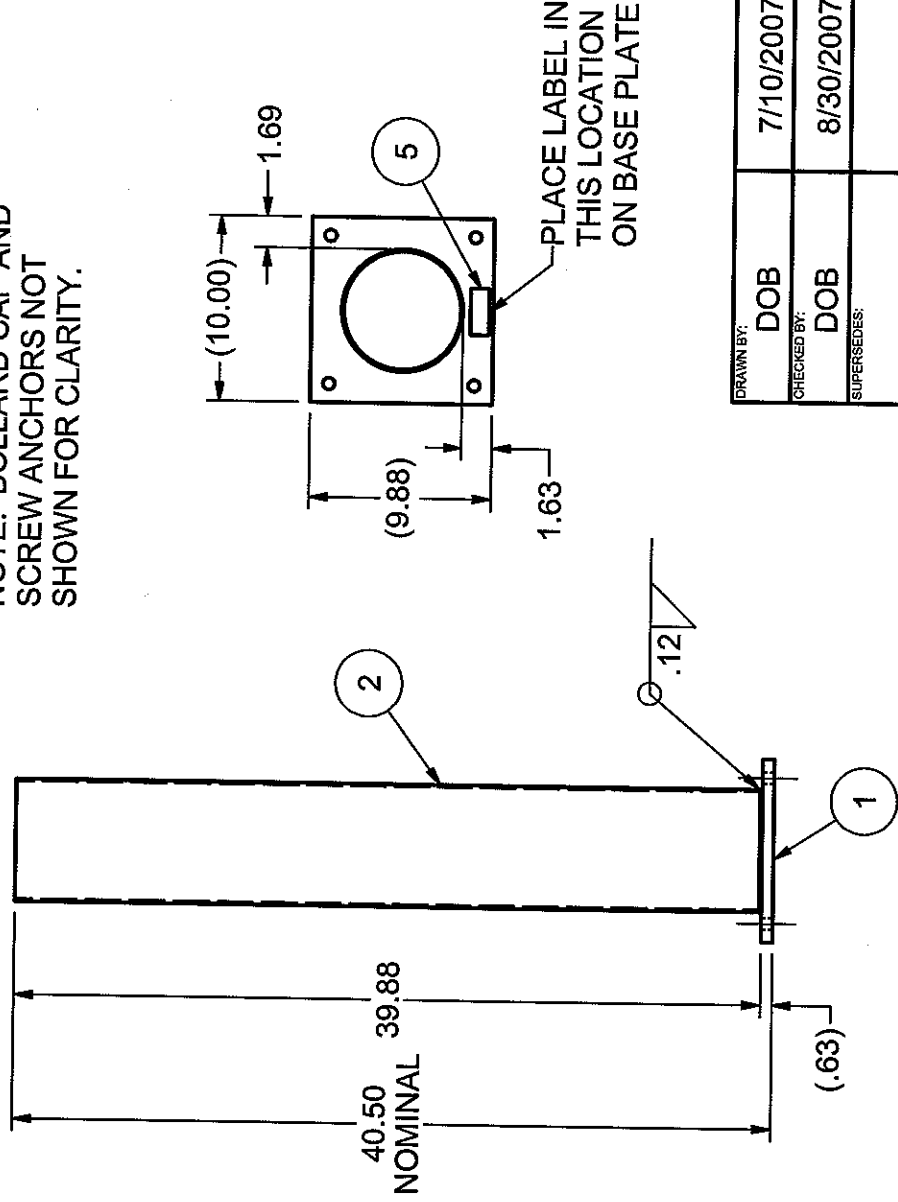


1

ITEM	QTY	PART NUMBER	TITLE
1	1	0301010011	BASE PLATE, BP-1 (10X10)
2	.166	0503010012	PIPE, 6" SCH 10 X 252" (BARE)
3	1	0601010002	CAP, 6" ROUND PLASTIC
4	4	0101020003	ANCHOR 1/2" X 5" SCREW
5	1	0606020009	LABEL, RT-10 SMALL LOGO
6	.243	0702023021	POWDER, SAFETY YELLOW



NOTE: BOLLARD CAP AND SCREW ANCHORS NOT SHOWN FOR CLARITY.



DRAWN BY:		DOB	7/10/2007
CHECKED BY:		DOB	8/30/2007
SUPERSEDES:			
REV	DATE	DESCRIPTION	
TITLE		BOLLARD - SD 6", 49 LBS	
SIZE	PART NO		
A	B6SD		

T TORBECK INDUSTRIES

2

1