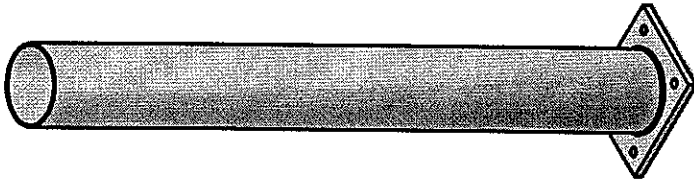
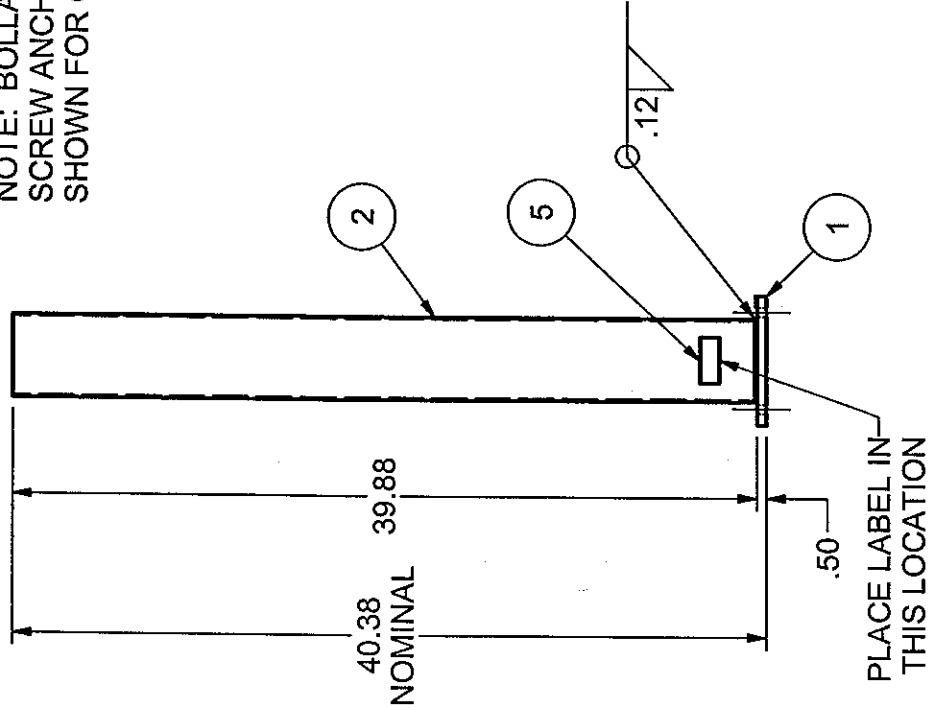


2 Standard Duty

ITEM	QTY	PART NUMBER	TITLE
1	1	0301010010	BASE PLATE, BP-6 (6 X 7)
2	1	0503010011	PIPE, 4" SCH 10 (BARE)
3	1	0601010001	CAP, 4" ROUND PLASTIC
4	4	0101050002	ANCHOR 3/8" X 4" SCREW
5	1	0606020009	LABEL, RT-10 SMALL LOGO
6		0702023021	POWDER, SAFETY YELLOW



NOTE: BOLLARD CAP AND SCREW ANCHORS NOT SHOWN FOR CLARITY.



DRAWN BY:		DOB	7/10/2007
CHECKED BY:		JAF	7/27/2007
SUPERSEDES:			
REV	DATE	DESCRIPTION	
TITLE		BOLLARD - SD 4"	
SIZE		A	PART NO B4SD

T TORBECK INDUSTRIES