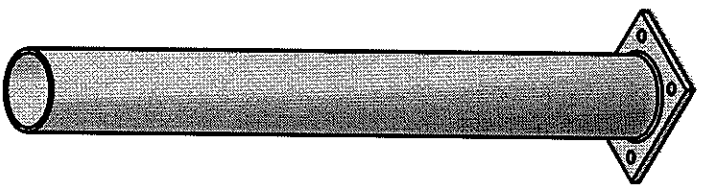
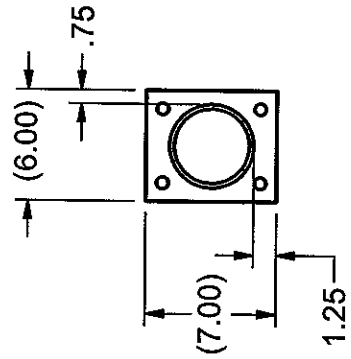
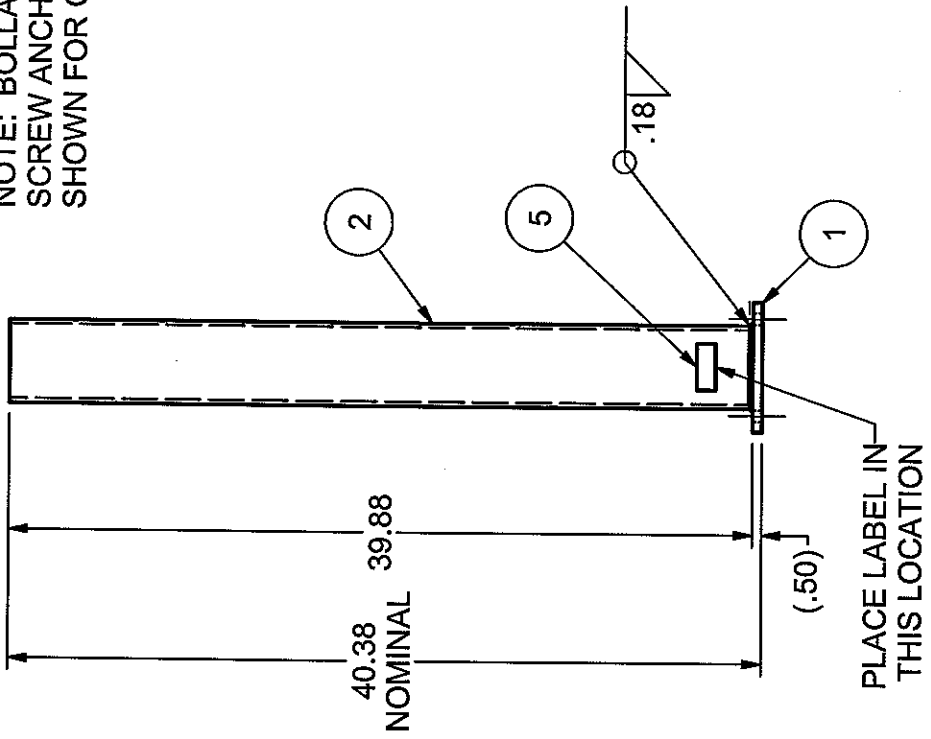


1

ITEM	QTY	PART NUMBER	TITLE
1	1	0301010010	BASE PLATE, BP-6 (6 X 7)
2	.166	0503010014	PIPE, 4" SCH 40 X 252" (BARE)
3	1	0601010001	CAP, 4" ROUND PLASTIC
4	4	0101020003	ANCHOR 1/2" X 5" SCREW, SIMPSON
5	1	0606020009	LABEL, RT-10 SMALL LOGO
6	.149	0702023021	POWDER, SAFETY YELLOW



NOTE: BOLLARD CAP AND SCREW ANCHORS NOT SHOWN FOR CLARITY.



A

B

<b>TORBECK INDUSTRIES</b>		TITLE BOLLARD - HD 4", 42 LBS	
DRAWN BY:	DOB	7/11/2007	
CHECKED BY:	DOB	8/30/2007	
SUPERSEDES:			
REV	DATE	DESCRIPTION	
1	9/7/2007	ANCHORS WERE 3/8, CHGD PER RT	
SIZE		PART NO	
A		B4HD	

1

2

2

B

A