



Product Specifications

Model: DK4248 Reversible Elbow Offset Davit Kit

Three piece component based davit assembly including an aluminum offset arm, fabricated aluminum elbow, and aluminum center post with winch mounting bracket. Fabricated aluminum elbow units are reversible and provide cost effective, versatile means of achieving multiple offset reaches. The DK4248 includes an offset arm to achieve nominal offset reaches of 42" & 48" from the centerpost. Additional arms are available separately for additional offsets. All davits are rated & certified for personnel use and offer a universal bracket for attachment of alternate lifting systems and/or 900 LB. MAF fall arrest devices. Assembly provides locations for up to two winch mounting plates. One winch mounting plate of the user's choice is provided with assembly. (Please see catalog for winch mounting plate options.)

General Specifications:

Product is designed and tested to be used in 2 General Applications:

1. As an offset davit system to be utilized as a personnel lifting, lowering, positioning, and/or confined space retrieval device.

Man Rated Load Capacity.....Single user of 350 LBS. (159 KG.) Maximum Weight

2. As an anchorage for personal fall arrest systems.

Compliance.....Designed and tested as a Fall Arrest Anchorage for one person as per OSHA 1926 Subpart M & ANSI A10.14

Warning! A 900 LB. maximum arrest force (MAF) fall arrest device must be used when system is employed as part of a complete fall arrest system. Maximum weight of person upon anchorage is 350 LBS. (159 KG.) inclusive of all tools and equipment

Materials & Construction:

General Construction..... 6061-T6 Aluminum

Offset Arm:

- Upper Mast6061-T6 aluminum tube 3" Outer Diameter
- Anchor Loop MaterialCarbon Steel
- Pulley MaterialAcetal Copolymer
- Pulley Mounting BoltCap screw-hex head

Elbow Material:

- Fabricated Elbow6061-T6 Aluminum
- Locking Pin3/8" Steel

Center Post Mast Material:

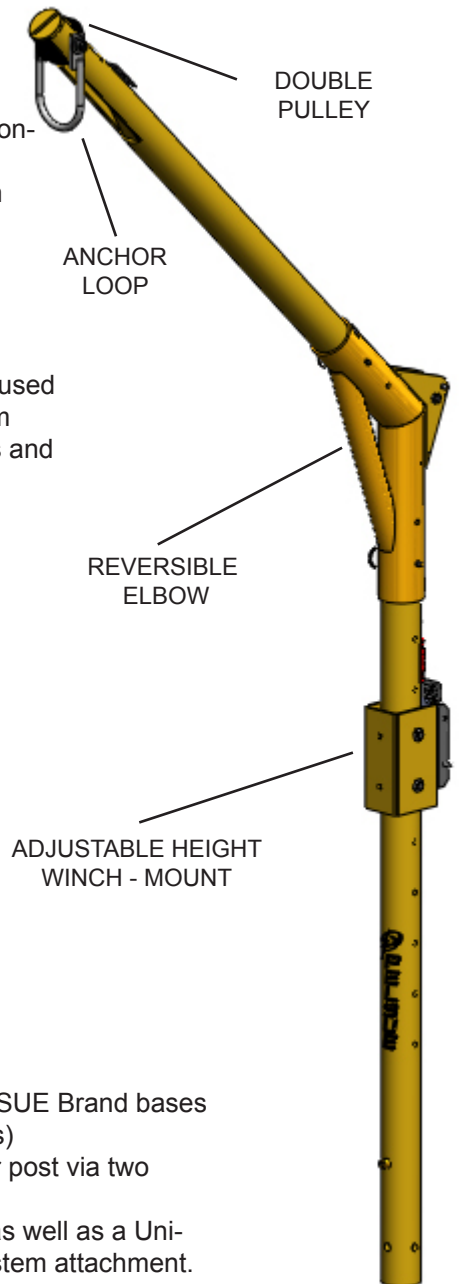
- Center Post.....6061-T6 aluminum tube 3" Outer Diameter
- Swivel StopAllen head cap screw

Weight:

Weight48 LBS. (21.8 Kg)

Other Features:

- Davit kit is designed to rotate freely within PELSUE Brand bases (180° in Portable Bases & 360° in fixed sleeves)
- Winch mount is height adjustable on the center post via two mounting bolts (see drawing on reverse side)
- System contains two pulleys in the offset arm as well as a Universal Overhead Anchor Loop for fall arrest system attachment.



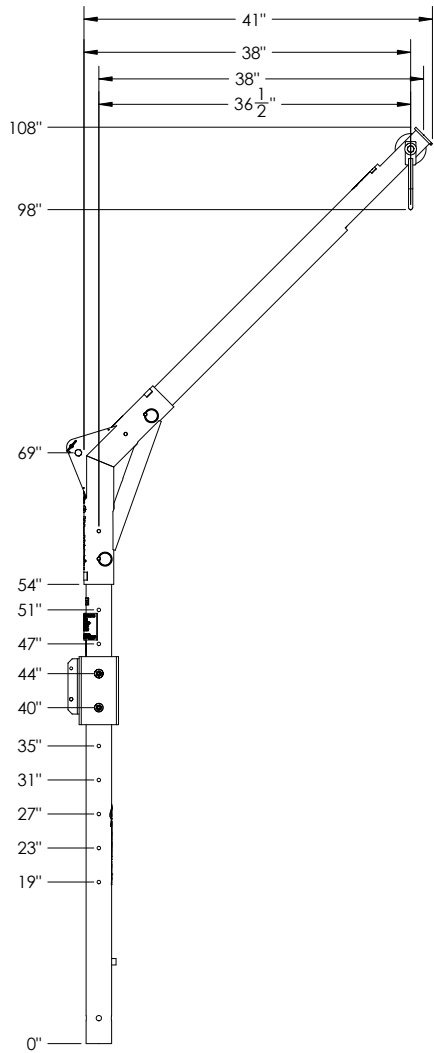
**DK4248 - 42" Offset
Isometric View**



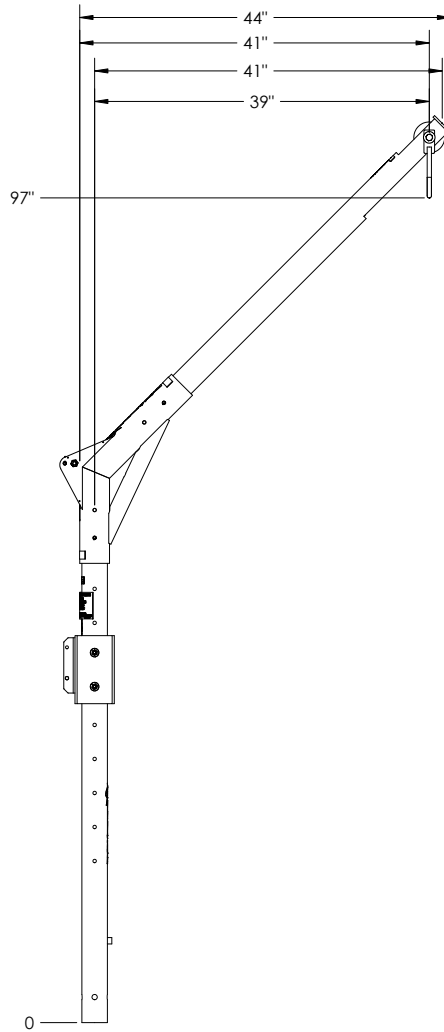
2500 S. Tejon St.
Englewood, CO 80110
Ph: 1-800-525-8460, (303) 936-7432
Fax: (303)934-5581
Web: www.pelsue.com E-mail: sales@pelsue.com



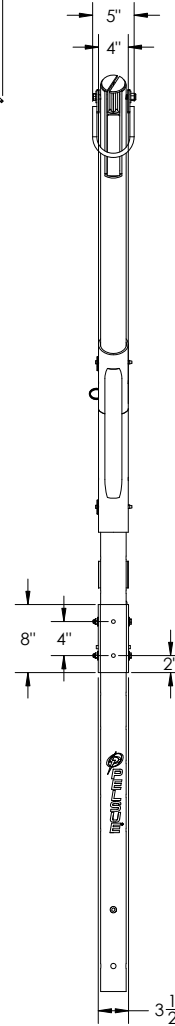
Product Specifications



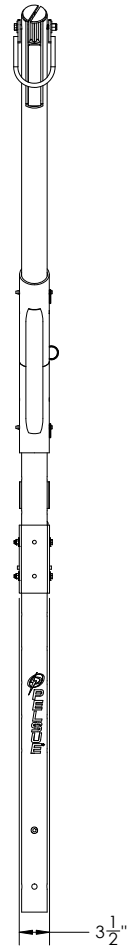
**42" OFFSET
SIDE VIEW**



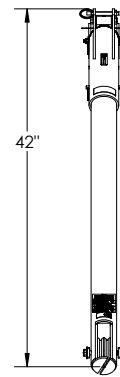
**48" OFFSET
SIDE VIEW**



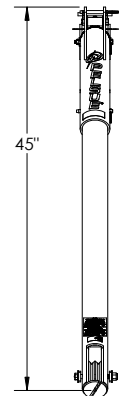
**42" OFFSET
FRONT VIEW**



**48" OFFSET
FRONT VIEW**



**42" OFFSET
TOP VIEW**



**48" OFFSET
TOP VIEW**



2500 S. Tejon St.
 Englewood, CO 80110
 Ph: 1-800-525-8460, (303) 936-7432
 Fax: (303)934-5581
 Web: www.pelsue.com E-mail: sales@pelsue.com